

Martin Residential UF Membranes

Ultra-filtration is an advanced technology to separate, purify and concentrate fluids using the principle of sieving on a molecular level. Using advanced technology and material to make PAN UF hollow fiber membrane for residential purpose, Martin UF membranes acquires superior performance.

- Good hydrophilicity of Membrane material makes higher flux during the operation
- PAN material for membranes
- Membrane material is germ-proof to minimize bio-fouling with longer service life
- Narrow Aperture distribution range to improve fouling resistant with superior fouling resistance
- Dry element on longer storage time
- Transport and storage temperature of -20°C to 45°C
- Solve problem of traditional technology using glycerin and formaldehyde for membrane preservation

UF Membrane Cartridge

MT-UF-15-5B

| | |
|-------------------|-----------------------|
| Product Code | MT-UF-15-5B |
| Feed Modes | Outside-In |
| Size (mm x mm) | Ø75X500 |
| Membrane Material | PAN |
| Body Material | ABS |
| Flux (L/Min) | 6 |
| | |
| Designed for | 20" Cartridge Housing |



UF Membrane Cartridge with Housing

MT-UF-T33

| | |
|-------------------|-----------------------|
| Product Code | MT-UF-T33 |
| Feed Modes | Outside-In |
| Size (mm x mm) | Ø67X280 |
| Membrane Material | PAN |
| Housing Material | PP |
| Flux (L/Min) | 2.5 |
| Description | T33 Cartridge Housing |



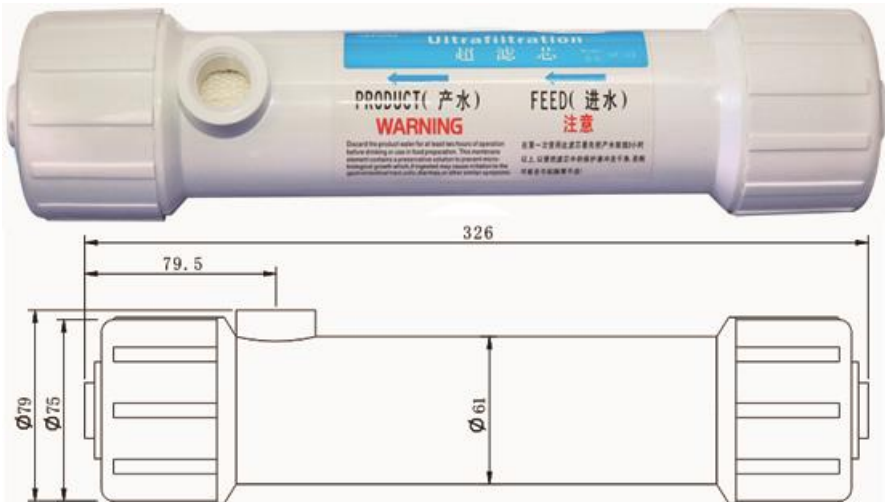
MT-UF-68-260

| | |
|-------------------|--------------------------|
| Product Code | MT-UF-68-260 |
| Feed Modes | Outside-In |
| Size (mm x mm) | Ø67.5X260 |
| Membrane Material | PAN |
| Housing Material | PP |
| Flux (L/Min) | 2.5 |
| Description | Korean Cartridge Housing |



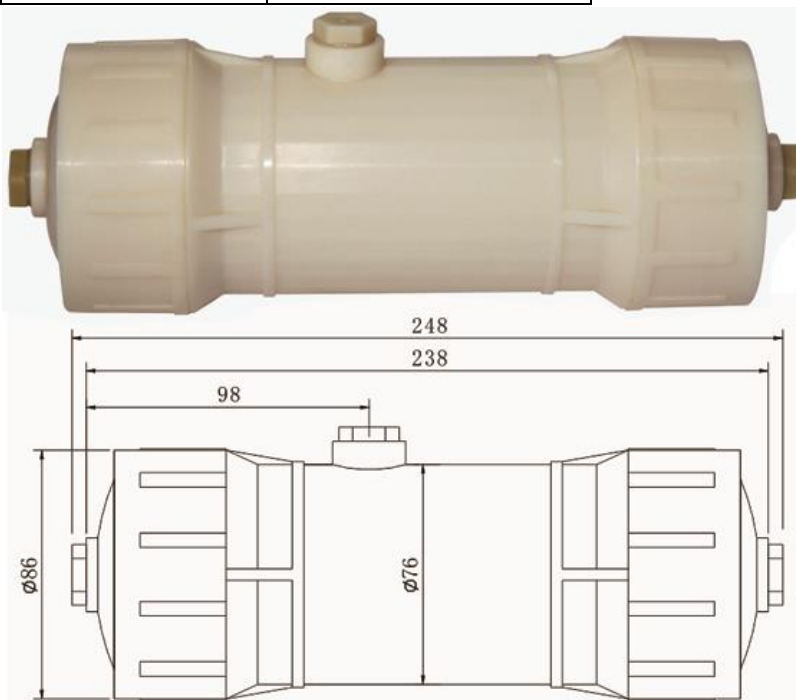
MT-UF-N320

| | |
|-------------------|----------------------|
| Product Code | MT-UF-N320 |
| Feed Modes | Inside-In |
| Size (mm x mm) | Ø75X326 |
| Membrane Material | PAN |
| Housing Material | ABS |
| Flux (L/Min) | 3 |
| Description | UF Cartridge Housing |



MT-UF-W200

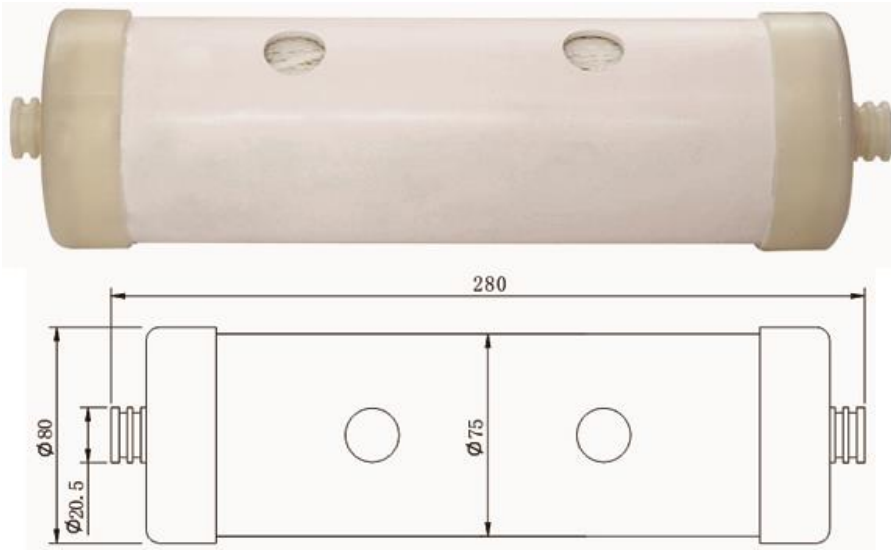
| | |
|-------------------|----------------------|
| Product Code | MT-UF-W200 |
| Feed Modes | Outside-In |
| Size (mm x mm) | Ø86X238 |
| Membrane Material | PAN |
| Housing Material | PP |
| Flux (L/Min) | 5 |
| Description | UF Cartridge Housing |



UF for Kitchen

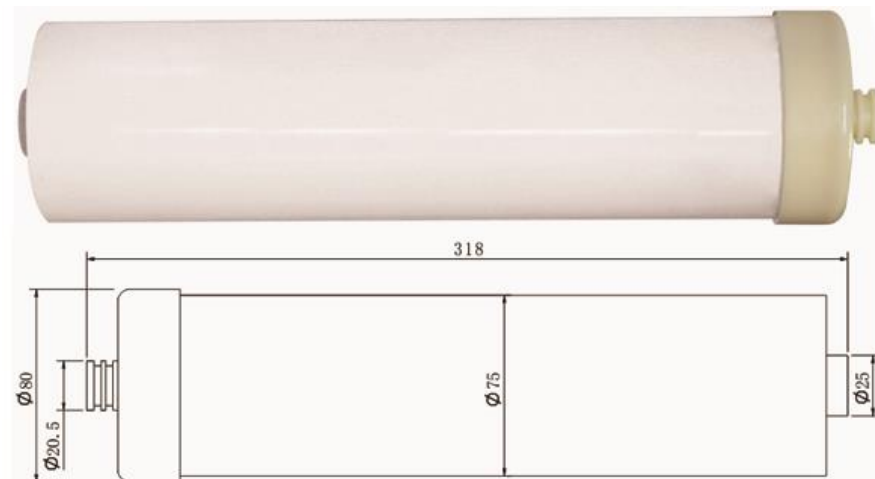
MT-UF-75-238

| | |
|-------------------|--------------|
| Product Code | MT-UF-75-238 |
| Feed Modes | Inside-Out |
| Size (mm x mm) | Ø80X280 |
| Membrane Material | PAN |
| Body Material | PVC-U |
| Flux (L/Min) | 3 |
| Designed for | SS Housing |



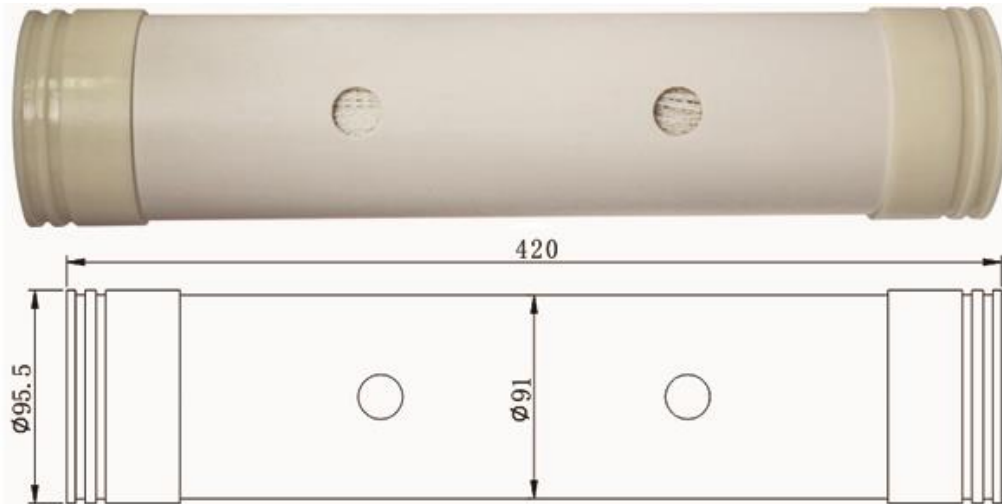
MT-UF-75-287

| | |
|-------------------|--------------|
| Product Code | MT-UF-75-287 |
| Feed Modes | Inside-Out |
| Size (mm x mm) | Ø80X318 |
| Membrane Material | PAN |
| Body Material | PVC-U |
| Flux (L/Min) | 3 |
| Designed for | SS Housing |



MT-UF-90-420

| | |
|-------------------|--------------|
| Product Code | MT-UF-90-420 |
| Feed Modes | Inside-Out |
| Size (mm x mm) | Ø95.5X420 |
| Membrane Material | PAN |
| Body Material | PVC-U |
| Flux (L/Min) | 9 |
| Designed for | SS Housing |



MT-UF-108-540

| | |
|-------------------|---------------|
| Product Code | MT-UF-108-540 |
| Feed Modes | Inside-Out |
| Size (mm x mm) | Ø107.5X540 |
| Membrane Material | PAN |
| Body Material | PVC-U |
| Flux (L/Min) | 15 |
| Designed for | SS Housing |

