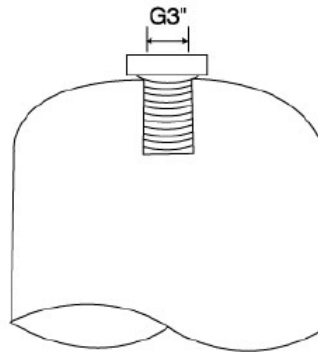
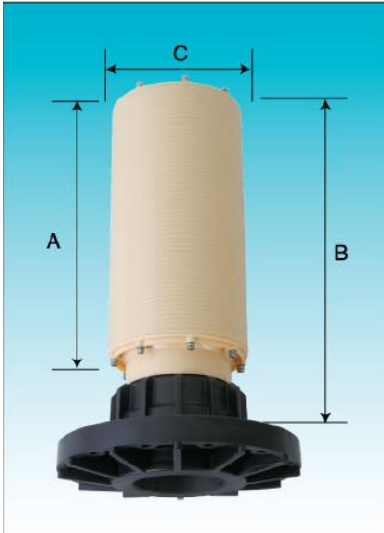
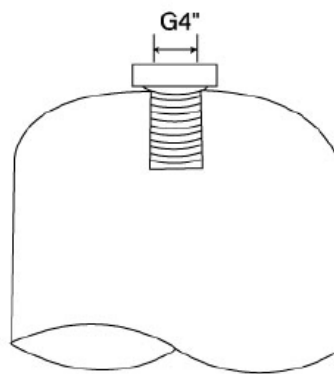
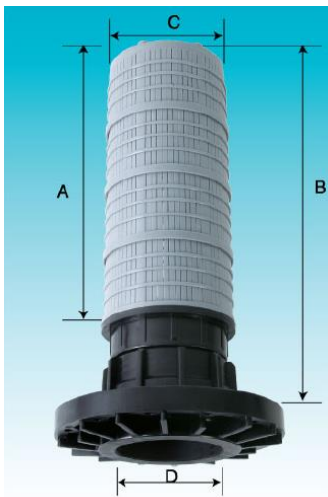


### 6" Flanged Top Mount Diffuser

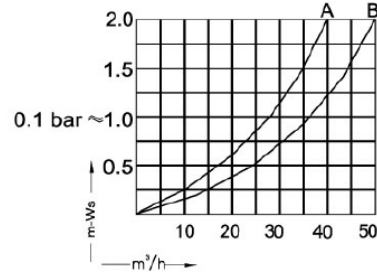
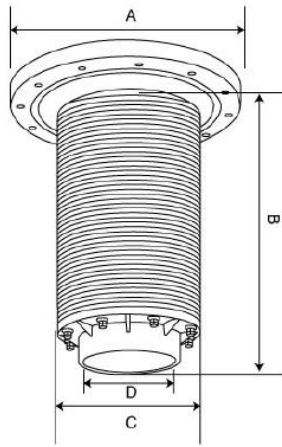


Product Code	Dimensions (mm)			Tanks	Top & Bottom Opening	Slot Size
	A	B	C			
MT-H172	260	360	140	36"-48"/Ø900-1200mm	6" FLG	0.25mm
MT-H173	330	420	140	48"-64"/Ø1200-1600mm	6" FLG	0.25mm
MT-H174	430	520	140	64"-80"/Ø1600-2000mm	6" FLG	0.25mm



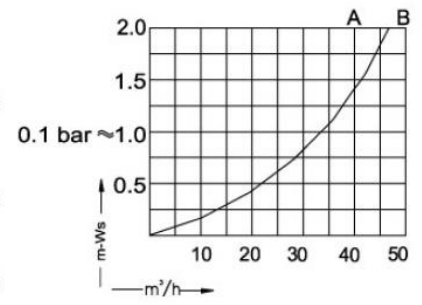
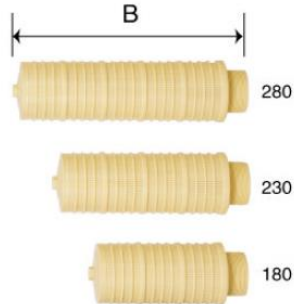
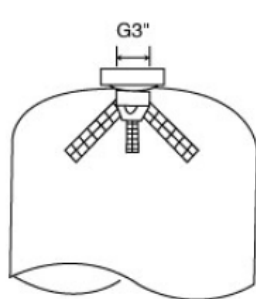
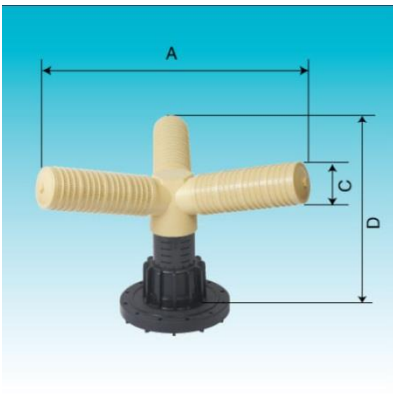
Product Code	Dimensions (mm)				Tanks	Top & Bottom Opening	Slot Size
	A	B	C	D			
MT-H175	340	440	140	110	40"-80"/Ø1000-2000mm	6" FLG	0.25mm

**Top Distributor for Fleck 3900**



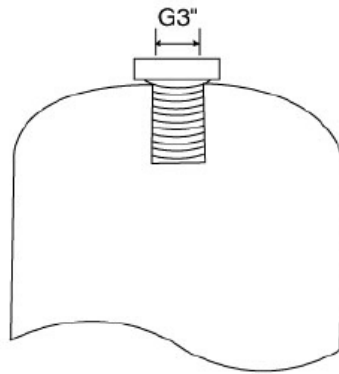
Product Code	Dimensions (mm)				Tanks	Top & Bottom Opening	Slot Size
	A	B	C	D			
MT-HD10300F	240	440	140	90	36"-60"/Ø900-1500mm	6" FLG	0.25/0.4mm
MT-HD10400F	240	540	140	90	60"-80"/Ø1500-2000mm	6" FLG	0.25/0.4mm

**6" Flanged Top Mount Diffuser 3 laterals**



Product Code	Dimensions (mm)				Tanks	Top & Bottom Opening	Slot Size
	A	B	C	D			
MT-HD8180	460	180	85	360	36"-48"/Ø900-1200mm	6" FLG	0.2/0.4mm
MT-HD8230	560	230	85	360	48"-64"/Ø1200-1600mm	6" FLG	0.2/0.4mm
MT-HD8280	660	280	85	360	64"-80"/Ø1600-2000mm	6" FLG	0.2/0.4mm

### 6" Flanged Top Mount Diffuser for fluidized bed



Product Code	Dimensions (mm)		Tanks	Top Opening	Slot Size
	A	B			
MT-HD11250F	350	140	30"-48"/Ø750-1200mm	6" FLG	0.25mm
MT-HD11300F	400	140	40"-60"/Ø1000-1500mm	6" FLG	0.25mm
MT-HD11400F	500	140	48"-80"/Ø1200-2000mm	6" FLG	0.25mm